

GHSTA 750 Series

Spring-Loaded High Temperature Mild Radiation Position Sensors



Description

The Macro Sensors GHSTA 750 Series of 3/4 inch diameter spring-loaded AC-LVDTs are designed for a wide range of position measurement and dimensional gaging applications. These rugged hermetically sealed sensors are constructed entirely of stainless steel and are intended for use at high temperatures (400°F) or exposed to mild radiation (3×10^7 Rads). The coil windings are sealed against hostile environments to IEC standard IP-68. Electrical termination is through a sealed axial connector; the mating connector plug is supplied with a unit.

The sensor consists of a spring loaded shaft running in a precision sleeve bearing and connected to the core of an LVDT. The use of a precision sleeve bearing results in measurement repeatability of 0.000025 inches ($0.6 \mu\text{m}$) or better. The output from the LVDT can be connected to any standard LVDT signal conditioner and then passed to a gaging column display, digital readout, or computer based data acquisition system.

The probe shaft is fully extended by a spring exerting a nominal force of 6 to 20 ounces depending upon total range. The contact tip supplied is an AGD standard number 9 made

Features

- Ranges of ± 0.050 inch to ± 2.00 inches
- 400°F (200°C) operating temperature
- No Teflon®
- Withstand mild radiation, 3×10^7 Rads
- Non-linearity less than $\pm 0.25\%$ of FRO
- Coil environmentally sealed to IEC IP-68

Applications

- High energy mirror alignment
- Nuclear fuel rod replacement
- Nuclear materials testing apparatus

from chrome plated hardened tool steel. It is fully interchangeable with other AGD contact tips.

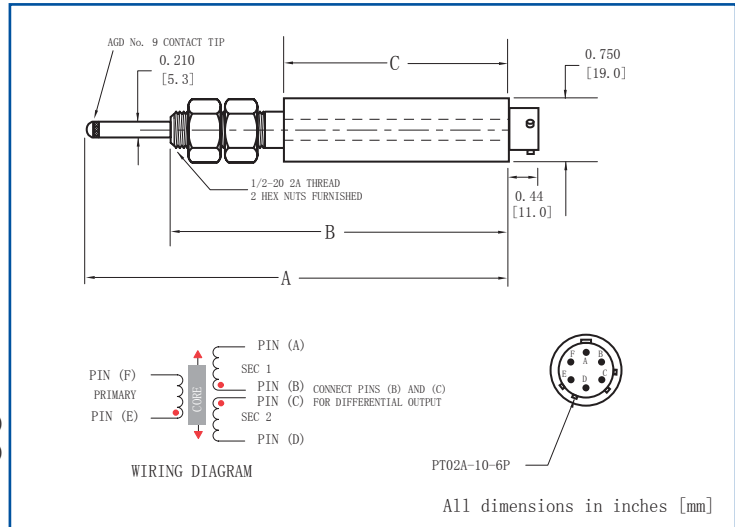
Available in ranges of ± 0.050 inch (± 1.25 mm) to ± 2.00 inches (± 50.0 mm), the maximum linearity error for a GHSTA 750 Series sensor is $\pm 0.25\%$ of full range output using a statistically best-fit straight line derived by the least squares method.

For simplified mounting the GHSTA 750 has a 1/2-20 UNF 2A thread on the front of the housing, permitting the user to install the LVDT in a mating threaded part or by using the two hex nuts furnished with the sensor. This results in a ready-to-use package for position measurements and longer range gaging applications.

All GHSTA 750 Series LVDTs will operate properly with any conventional differential input LVDT signal conditioners, but operation with ratiometric LVDT signal conditioning is not recommended. Macro Sensors offers a full line of LVDT signal conditioners that will deliver optimum performance from any GHSTA 750 Series LVDT. Details can be found in series 9000 technical bulletins.

General Specifications

Input Voltage: 3.0 V_{rms} (nominal)
 Input Frequency: 2.5 to 3.0 kHz
 Linearity Error: $< \pm 0.25\%$ of FRO
 Repeatability Error: 0.000025 inch
 (0.6 μm)
 Operating Temperature: $-65^{\circ} F$ to $+400^{\circ} F$
 ($-55^{\circ} C$ to $+200^{\circ} C$)
 Thermal Coefficient of Sensitivity: $-0.01\%/^{\circ} F$ (nominal)
 ($-0.02\%/^{\circ} C$ nominal)



Specifications

Model	GHSTA 750 -050	GHSTA 750 -125	GHSTA 750 -250	GHSTA 750 -500	GHSTA 750 -1000	GHSTA 750 -2000
Nominal Range (inches)	± 0.050	± 0.125	± 0.25	± 0.50	± 1.00	± 2.00
Nominal Range (mm)	± 1.25	± 3.0	± 6.3	± 12.5	± 25.0	± 50.0
Sensitivity (mV/V/.001 in)	6.1	3.9	2.5	0.65	0.61	0.37
Sensitivity (mV/V/mm)	240	153	98	26	24	14
Primary Impedance Ω	325	735	1400	1200	1250	2150
Pretravel (inches)	0.12	0.13	0.10	0.10	0.05	0.02
Pretravel (mm)	3.0	3.3	2.5	2.5	1.3	0.5
Overtravel (inches)	0.12	0.13	0.10	0.10	0.05	0.02
Overtravel (mm)	3.0	3.3	2.5	2.5	1.3	0.5
Dimension "A" (inches)	4.61	5.26	6.02	10.54	12.81	20.91
Dimension "A" (mm)	117	134	153	268	322	531
Dimension "B" (inches)	3.51	4.15	4.91	9.05	10.51	16.35
Dimension "B" (mm)	89	105	125	230	267	415
Dimension "C" (inches)	1.97	2.60	3.35	5.88	7.34	10.87
Dimension "C" (mm)	50	66	85	149	186	276
Weight (ounces)	2.9	3.4	4.0	6.0	6.3	10.2
Weight (g)	82	96	113	170	179	290

Ordering Information

Order by model number with range
 For accessories and compatible signal conditioners, please visit our www.macro-sensors.com.



Innovators in Position Sensing

All specifications subject to change without notice.
 © 2007 Macro Sensors 04/17/07

马克罗传感器北京代表处
 地址：北京海淀长春桥路5号12-901室
 电话：010-87083686/51294688
 传真：010-82561891
 Email: info@macrosensors.cn
 Http://www.macro-sensors.com.cn

